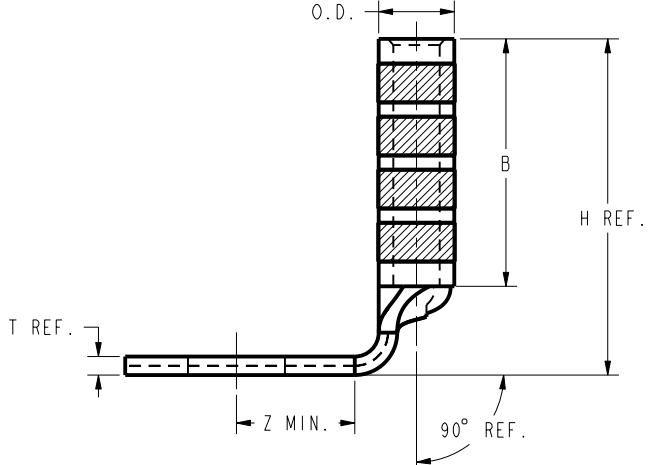
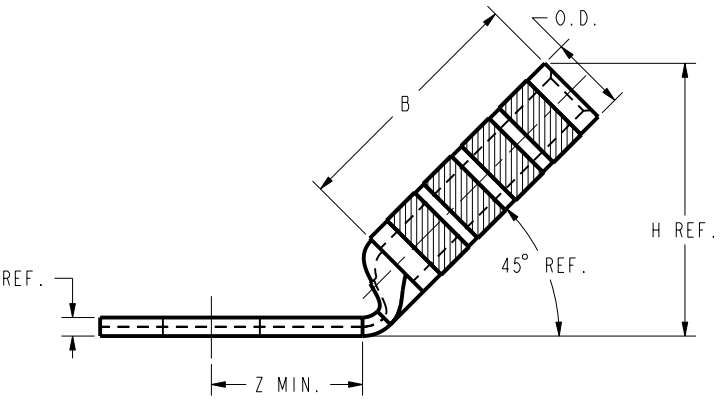
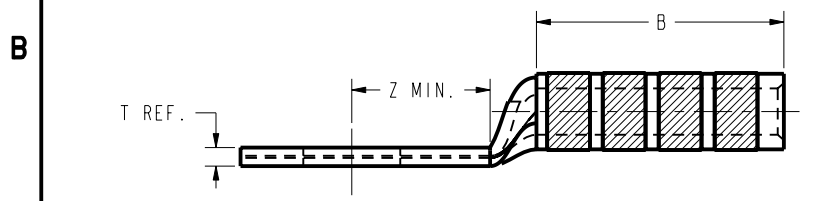
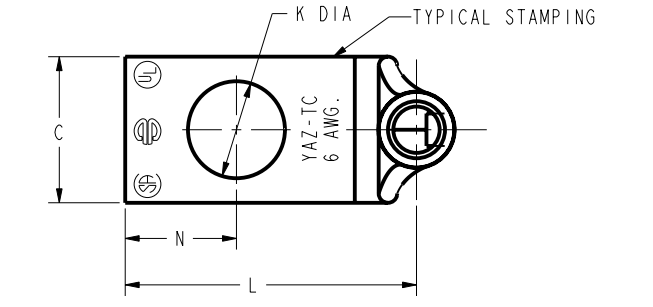
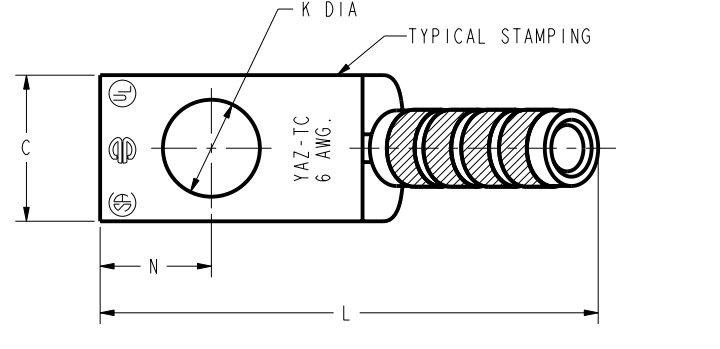
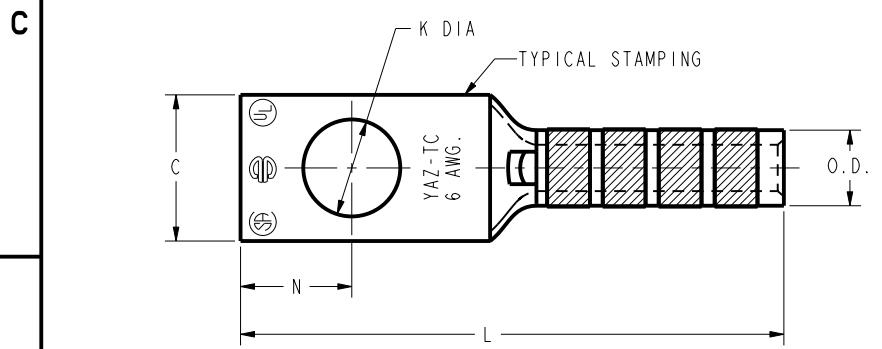


CATALOG. NO.	CONDUCTOR		BOLT SIZE	FIG. NO.	DIMENSIONS								INSTALLATION TOOLING (# CRIMPS)											
	CODE (AWG)	NAVY			B ±.03	C +.04 -.02	H REF.	K DIA. ±.02	L ±.06	N ±.04	O.D. ±.01	T REF.	Z MIN.	DIE INDEX	COLOR CODE	MECHANICAL			HYDRAULIC				DIELESS (# CRIMPS)	WIRE STRIP LENGTH
																MD7-34R MD6	OUR840	Y8MRB-1 YIMRTG-6 Y122CMR	BCT500 Y500CT	Y34A	Y750 Y35, Y39	Y46		
YAZ6CTC38	#6 STR #6 SOL	30	1.12 [28]		--		2.21 [56]		.29 [7]			7 OR 374	BLUE	W5CVT W5CRT (2)	W5CVT W5CRT (2)	BLUE (2)	W5CVT W5CRT (2)	A5CR (2)	U5CRT U8CABT (2)	U5CRT U8CABT (2)	U5CRT U8CABT (2)	MECHANICAL: MY29-11(1) HYDRAULIC Y644, Y644M Y644MBH	1-3/16	
YAZ6CTC3845			.58 [15]	1.18 [30]	.40 [10]	1.96 [50]	.41 [10]		.06 [2]	.42 [11]														
YAZ6CTC3890				1.46 [37]		1.05 [27]																		
YAZ6CTC12				--		2.46 [62]																		
YAZ6CTC1245			.75 [19]	1.20 [30]	.52 [13]	2.34 [59]	.53 [13]		.12 [3]	.55 [14]														
YAZ6CTC1290	#6 STR #6 SOL	30	1.12 [28]			1.33 [34]		.29 [7]				7 OR 374	BLUE	W5CVT W5CRT (2)	W5CVT W5CRT (2)	BLUE (2)	W5CVT W5CRT (2)	A5CR (2)	U5CRT U8CABT (2)	U5CRT U8CABT (2)	U5CRT U8CABT (2)		1-3/16	



- NOTES:
1. MATERIAL: COPPER TUBING.
 2. FINISH: TIN PLATED
 3. CATALOG # PT6515 ADAPTOR IS REQUIRED TO USE "U" DIES IN Y45 SERIES TOOLS.
 4. CATALOG # PUADP-1 ADAPTOR IS REQUIRED TO USE "U" DIES IN Y46 SERIES TOOLS.
 5. NAVY CABLE SIZE MAY BE OMITTED ON SOME SIZES BECAUSE OF SPACE LIMITATIONS.
 6. PERMANENT DIE IN TOOLING.

7. DIMENSIONS, METRIC WIRE, & METRIC BOLT SIZES IN BRACKETS [] ARE IN MILLIMETERS. DIMENSIONS ARE ROUNDED OFF TO THE NEAREST MILLIMETER, UNLESS OTHERWISE NOTED, AND ARE FOR REFERENCE ONLY.
8. FOR USE BY CUSTOMERS THAT HAVE THIS HYPRESS™. NO NEW Y34A HYPRESS™ TOOLS ARE BEING PROCESSED.
9. DO NOT USE PAT644 OR Y644 TOOLING WITH 6 AWG SOL.
10. THESE CONNECTORS CANNOT BE INSTALLED WITH Y45 TOOLING.

TO ORDER BURNDY® PRC		HYLUG™ (ONE HOLE CODE)	
ITEM NO:	NA	CAT. NO:	YAZ6C-TC- (TABLE)
DRAWN BY:	D. BOISVERT 02/03/2000	CHECKER:	R. BOISVERT 01/10/2001
DSN APPVL:	J. MICHAUD 05/04/2000	MFG APPVL:	N/A
QA APPVL:	S. BROWN	MKT APPVL:	R. ROBICHEAU 02/01/2000
PROD FAM:	--	SCALE:	NTS
PROJECT #:	--	DRAWING NO:	SE212356
DOCUMENT TYPE:	Sales	SIZE:	D
REL LEVEL:	Released	SHEET:	5 OF 40

REV: PE0200